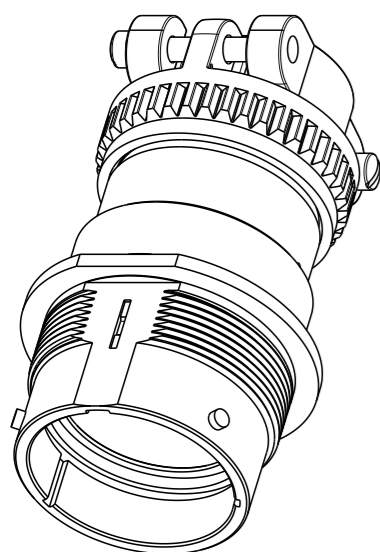
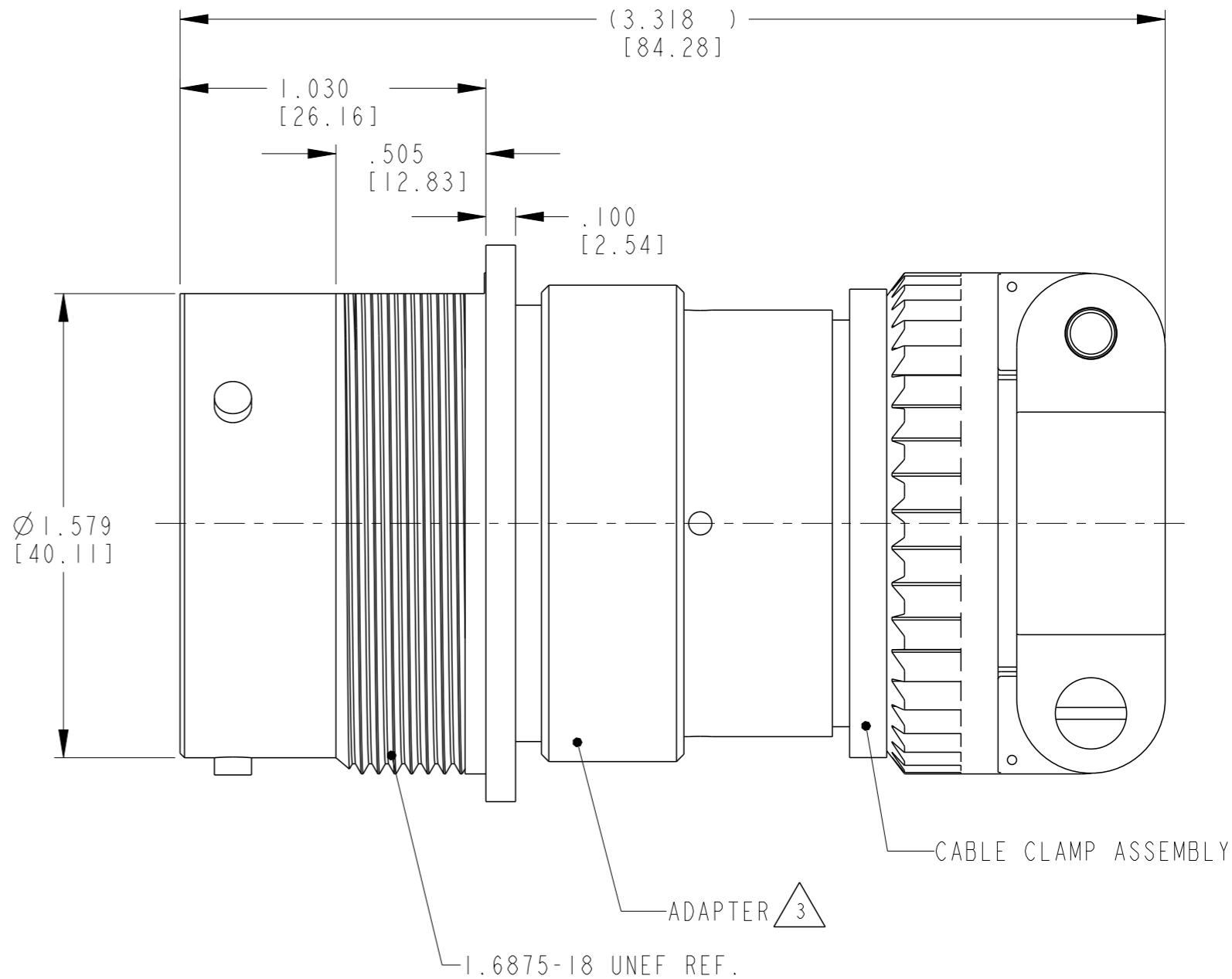
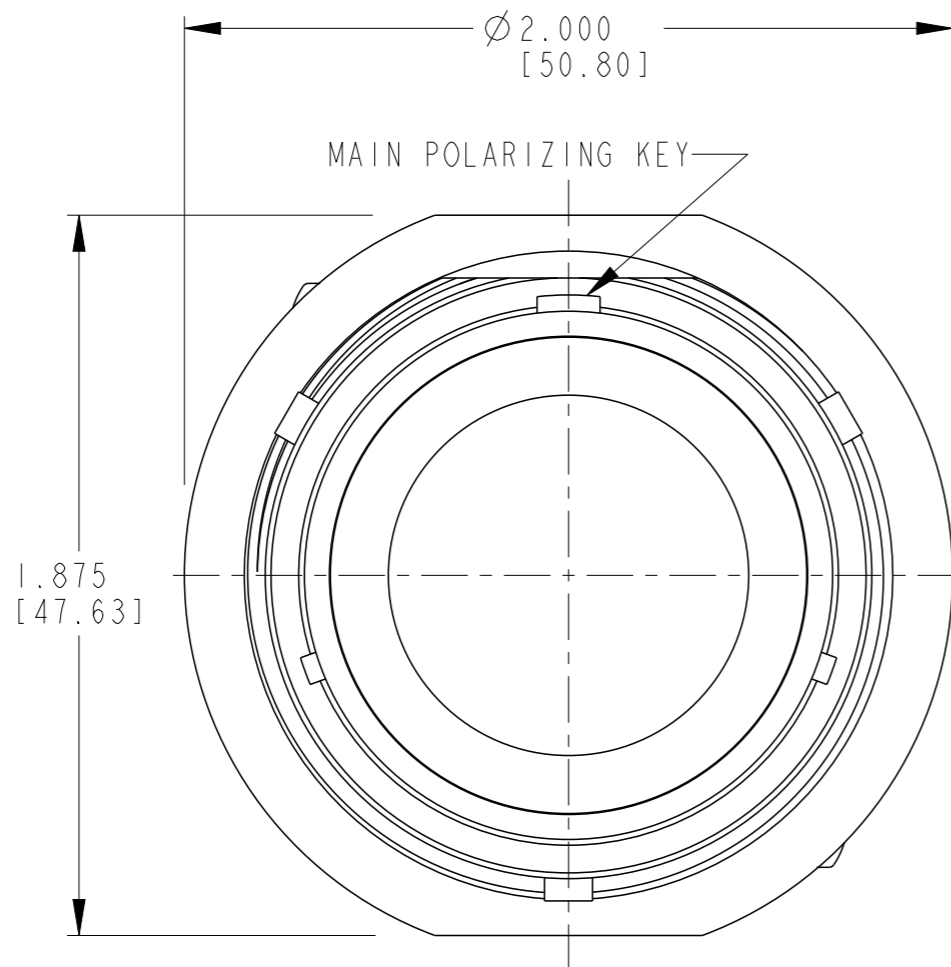


LOC	DIST	REVISIONS			
P	LTR	DESCRIPTION	DATE	DWN	APVD
-	-	NC	NEW RELEASE PER E.O. P19039	13SEP2005	- RDR
		A	REVISED PER E.O. P21009	19JUL2011	- RDR
		A1	REVISED PER ECO-15-001798	10OCT2014	VNB DM



3D VIEW



3. MATERIAL:
 ADAPTER: AL 6000 SERIES

2. THE CONNECTOR MATES WITH HD36-24-XXP/SX-XXXX
 X - SEAL DESIGNATION, XX = NUMBER OF CAVITIES,
 XXXX = MODIFICATION DESIGNATION.

1. FOR ARRANGEMENT OF CONTACT LOCATION
 SEE ENVELOPE DRAWING 0425-014-2400.

NOTES:

THIS DRAWING IS A CONTROLLED DOCUMENT.		DWN	30OCT2014		 TE Connectivity	NAME RECEPTACLE CONNECTOR SHELL SIZE 24 BAYONET COUPLING MOD -059 HD30 SERIES	RESTRICTED TO					
DIMENSIONS: INCHES		CHK	31OCT2014									
TOLERANCES UNLESS OTHERWISE SPECIFIED:		APVD	31OCT2014									
0 PLC ±- 1 PLC ±- 2 PLC ±- 3 PLC ±.010 [±.254] 4 PLC ±- ANGLES ±° 30' 0" FINISH -		PRODUCT SPEC	0425-016-0000									
MATERIAL SEE NOTE		APPLICATION SPEC	0425-015-0000		SIZE	A3	CAGE CODE	-	DRAWING NO	HD34-24-XXP/SX-059	REV	A1
		WEIGHT	-		SCALE	SHEET		OF	REV	Customer Drawing		